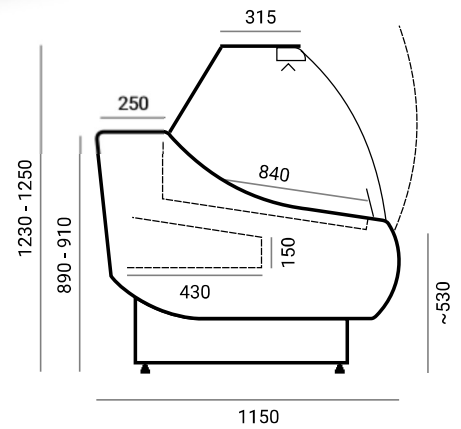
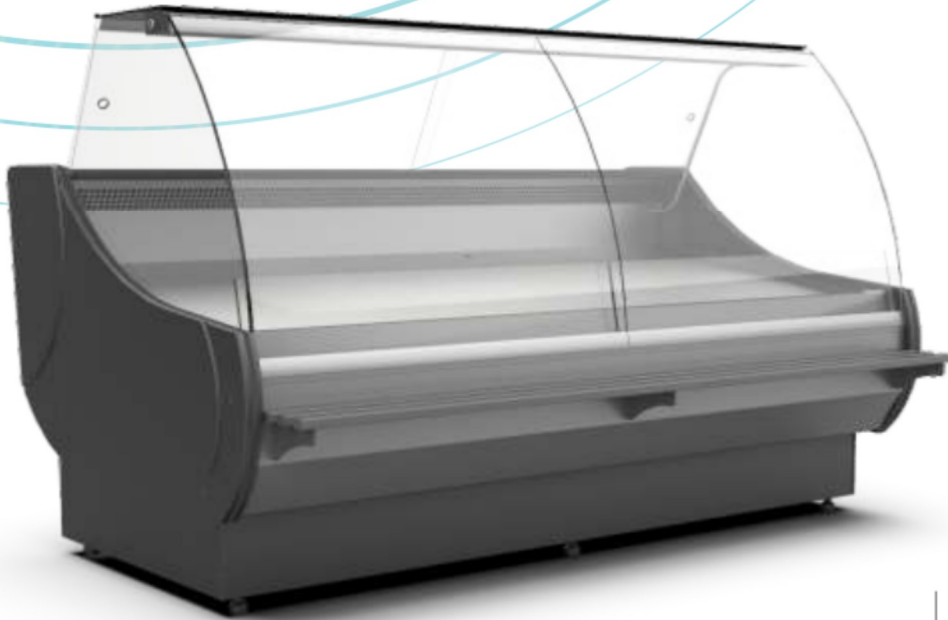


# OFELIA

WCh-7/1





## STANDARD EQUIPMENT

- ▶ Cooling system: dynamic
- ▶ Integral condensing unit (plug in)
- ▶ Hinged front glass
- ▶ Silver aluminium profiles
- ▶ ABS sides and hull insulated with eco-friendly polyurethane foam
- ▶ Front made of power coated sheet
- ▶ Stainless steel exposition H17
- ▶ Worktop made of stainless steel H18
- ▶ Storage chamber made of stainless steel (door size 515mmx230mm)
- ▶ Thermostat with automatic defrost and digital display
- ▶ Exposition lighting - LED lamp
- ▶ Night covers



## OTHER VERSIONS

- ▶ Adapted to combining OFELIA modules with one line
- ▶ For remote condensing unit with expansion valve
- ▶ Cash table OFELIA LS-R7
- ▶ Interior and exterior corners



## TECHNICAL DATA

LENGTH	mm	1330	1570	2000	2580	3060
WIDTH	mm	1150				
HEIGHT	mm	1230 - 1250				
TEMPERATURE RANGE	°C	FROM +1°C TO +7°C				
ENVIRONMENTAL CONDITIONS		AMBIENT TEMPERATURE 25°C, RELATIVE HUMIDITY 60%				
REFRIGERANT	—	R449 / R290				
USABLE CAPACITY	l	300	360	485	600	720
EXPOSITION SPACE	m <sup>2</sup>	1,05	1,25	1,62	2,1	2,5
RATED VOLTAGE	V	230/50Hz				
REQUIRED REFRIGERATION POWER	W/m	450				



## ADDITIONAL EQUIPMENT

- ▶ Granite working top
- ▶ Aluminium profiles painted according to the RAL palette
- ▶ Movable plexi divider or immovable glass divider
- ▶ Glass shelf in the exhibition area
- ▶ Metal rail, for customer use
- ▶ Evaporater heater
- ▶ LED meat lamp
- ▶ Cascade overlay
- ▶ Fresh fish container
- ▶ Electric socket
- ▶ Support for knives
- ▶ Slidable shelf for scales/slicer
- ▶ Wheels
- ▶ Anti-corrosion protection of evaporator
- ▶ Automatic vaporization of condensate